

LCD touchscreen, European and professional convection wall ovens

Wall oven general features

European styling. (R and S models) Smooth, seamless exterior with tubular handle, electronic dial controls and expansive viewing window makes an unmistakable statement of quality and refinement.

Professional styling. Sculptural lines, chamfered edges and robust, die-cast electronic dial controls give depth and dimension to the premium-grade stainless steel surface.

Exclusive self-clean, full-extension oven racks. Racks glide in and out on stainless steel ball bearings for easy access. The adjustable, heavy-duty, porcelain-coated racks can remain in the oven during the self-clean cycle.

Halogen light columns. Two brilliantly illuminated columns on both sides of the oven enhance visibility, providing a clear view of food regardless of rack position.

Reverse-Air convection system. Dedicated convection elements and a bidirectional fan provide consistent temperature throughout the oven.

Six-element design. Two bake, two broil and two convection elements provide precise cooking control, with fast preheating. And, an electronic, low-voltage compensation feature boosts power in 208V applications.

4.4-cu.-ft. total capacity. Generously sized interior accommodates even the largest meals, and true hidden bake elements add flexibility by allowing easy ash removal after the self-clean cycle.

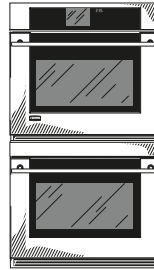
For additional details on product installation, warranty coverage, care and maintenance, visit monogram.com.

Double oven

Overall dimensions (WxHxD in inches): 29-3/4 x 52-7/8 x 23-1/2	
Amps @240VAC	35.8
208VAC	37.5
Approx. shipping wt. (lbs.)	370

Single oven

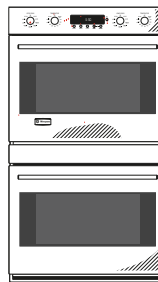
Overall dimensions (WxHxD in inches): 29-3/4 x 28-1/4 x 23-1/2	
Amps @240VAC	17.9
208VAC	18.7
Approx. shipping wt. (lbs.)	195



30" LCD touchscreen double oven

ZET2RMSS

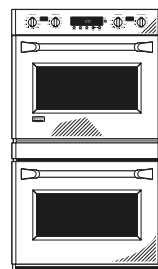
- LCD touchscreen with proximity sensor
- Flush appearance installation
- Fits standard 30"-wide wall oven cabinets
- Approved for installation over warming drawers



30" European double oven

ZET2SMSS

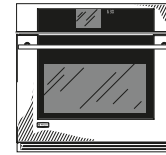
- Flush appearance installation
- Fits standard 30"-wide wall oven cabinets
- Approved for installation over warming drawers



30" professional double oven

ZET2PMSS

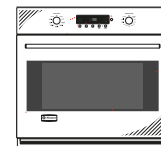
- Professional aesthetic
- Fits standard 30"-wide wall oven cabinets
- Approved for installation over warming drawers



30" LCD touchscreen single oven

ZET1RMSS

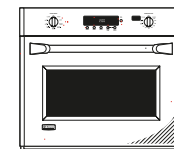
- LCD touchscreen with proximity sensor
- Fits standard 30"-wide wall oven cabinets
- Undercounter installation
- Approved for installation under specified cooktops, Advantium® ovens and over warming drawers
- Approved for side-by-side installation



30" European single oven

ZET1SMSS

- Flush appearance installation
- Fits standard 30"-wide wall oven cabinets
- Undercounter installation
- Approved for installation under specified cooktops, Advantium ovens and over warming drawers
- Approved for side-by-side installation



30" professional single oven

ZET1PMSS

- Professional aesthetic
- Fits standard 30"-wide wall oven cabinets
- Undercounter installation
- Approved for installation under specific cooktops, Advantium ovens and over warming drawers
- Approved for side-by-side installation

Advance planning for LCD touchscreen, European and professional convection wall ovens

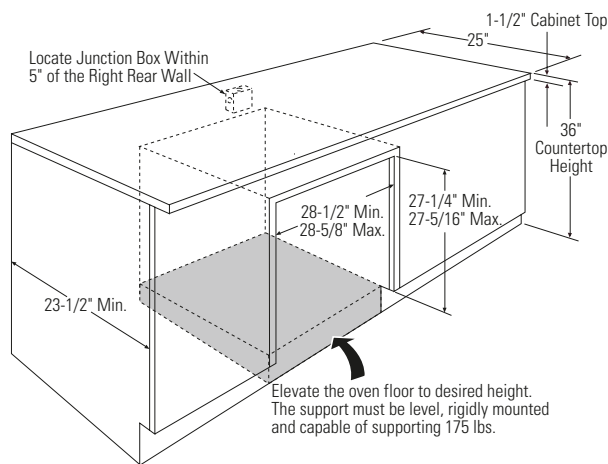
The LCD touchscreen ovens with proximity sensor provide easy, intuitive access to oven functions and options. The European ovens offer contemporary styling with the signature Monogram® tubular handles. The professional oven design combines rugged stainless steel construction with refined styling. All three are designed to fit into a 30"-wide cabinet.

Electrical requirements

Product rating is 208 or 240V, 60Hz. Connect to a 40-amp circuit for double ovens and 20-amp circuit for single ovens. The ovens must be connected to a supply circuit of the proper voltage and frequency and protected by a time-delay fuse or circuit breaker.

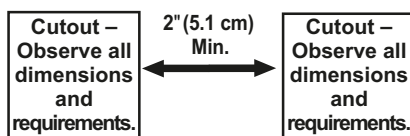
Installation below a countertop

A single oven can be installed beneath countertops and below approved cooktops. Always refer to the cooktop installation instructions for electrical requirements and clearances.

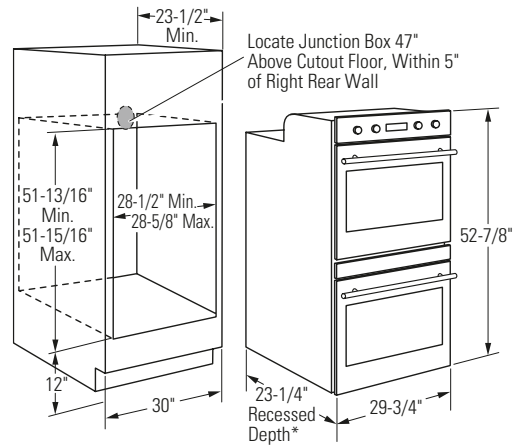


Side-by-side installations

Install two ovens in separate cutouts. Allow 2" minimum between the cutouts.



Cutout and product dimensions



LCD touchscreen double oven

ZET2RMSS Stainless steel

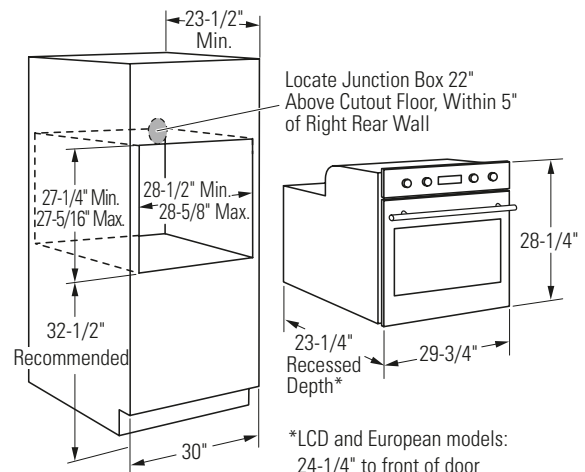
European double oven

ZET2SMSS Stainless steel

Professional double oven

ZET2PMSS Stainless steel

*LCD and European models:
24-1/4" to front of door
26-1/4" including tubular handle
Professional model:
24-3/4" to front of door
27-7/16" including professional handle



LCD touchscreen single oven

ZET1RMSS Stainless steel

European single oven

ZET1SMSS Stainless steel

Professional single oven

ZET1PMSS Stainless steel

*LCD and European models:
24-1/4" to front of door
26-1/4" including tubular handle
Professional model:
24-3/4" to front of door
27-7/16" including professional handle

Advance planning for built-in cooking products

Monogram® built-in ovens and warming drawers are designed for installation flexibility and to coordinate with and complement other Monogram appliances. Single ovens can also be installed below approved Monogram cooktops. Review the following chart for approved combinations.

Approved single oven and cooktop installation combinations

	30" European ZET1S and ZET1R	30" professional ZET1P	30" Advantium® ZSC1201/1202	30" touch ZET938	30" Trivection® ZET3038	Warming drawer ZTD/ZKD910
Gas cooktops						
30" stainless steel ZGU384	•	•		•		•
36" stainless steel ZGU385	•	•		•		• (ZTD910 only)
36" gas-on-glass ZGU36K	•	•	•	•		• (ZTD910 only)
Induction cooktops						
30" induction ZHU30R	•	•		•		
36" induction ZHU36R	•	•		•		
Electric cooktops						
30" digital ZEU30R	•	•	•	•		•
36" digital ZEU36R	•	•	•	•		• (ZTD910 only)
36" electric ZEU36K	•	•	•	•		• (ZTD910 only)

Note: 27" Advantium 120V ovens and 30" Advantium 240V ovens cannot be installed below a countertop.

30" Advantium 120V ovens may be installed below a countertop and specified cooktops.

The Trivection oven cannot be installed below a cooktop, but it may be installed below a countertop.

Induction cooktops cannot be installed above warming drawer.